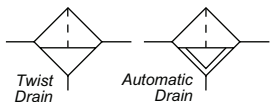
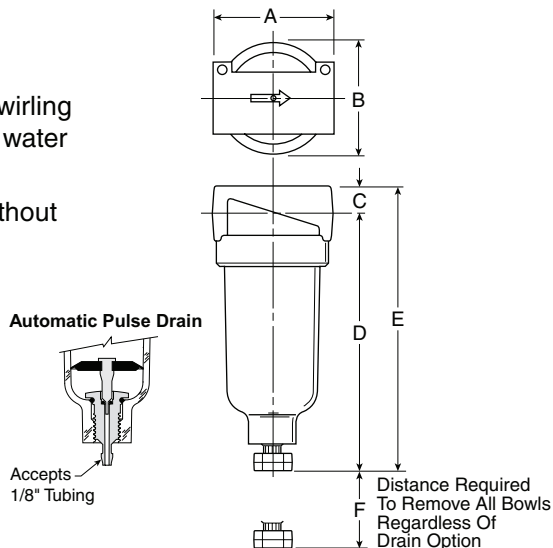


14F Filters – Miniature



Features

- Excellent water removal efficiency.
- Unique deflector plate that creates swirling of the air stream ensuring maximum water and dirt separation.
- Easily disassembled for servicing without the use of tools.
- 5 micron element standard.
- Interchangeable Twist and Automatic Pulse Drains.
- High Flow: 1/8" – 22 SCFM[§]
1/4" – 24 SCFM[§]



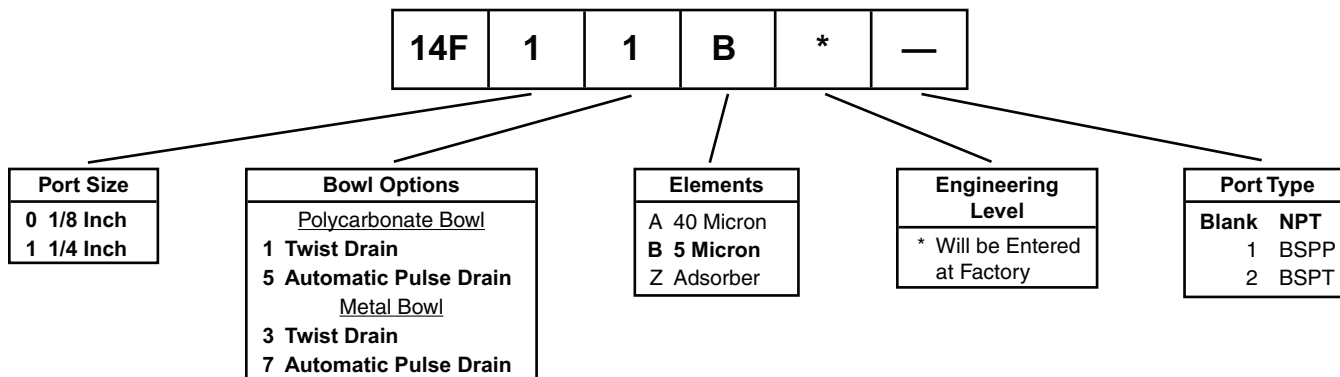
Port Size	NPT	
	Twist Drain	Automatic Pulse Drain
Poly Bowl ‡		
1/8"	14F01B*	14F05B*
1/4"	14F11B*	14F15B*
Metal Bowl without Sight Gauge		
1/8"	14F03B*	14F07B*
1/4"	14F13B*	14F17B*

14F Filter Dimensions		
A 1.69 (43)	B 1.53 (39)	C .39 (10)
D 3.82 (97)	D† 3.87 (99)	E 4.21 (107)
E† 4.26 (108)	F 1.60 (41)	

Standard part numbers shown bold.
 For other models refer to ordering information below.
 ‡ For polycarbonate bowl see Caution on page A2.
 § SCFM = Standard cubic feet per minute at 90 PSIG inlet and 5 PSIG pressure drop.

Inches (mm)
 † With Automatic Pulse Drain.

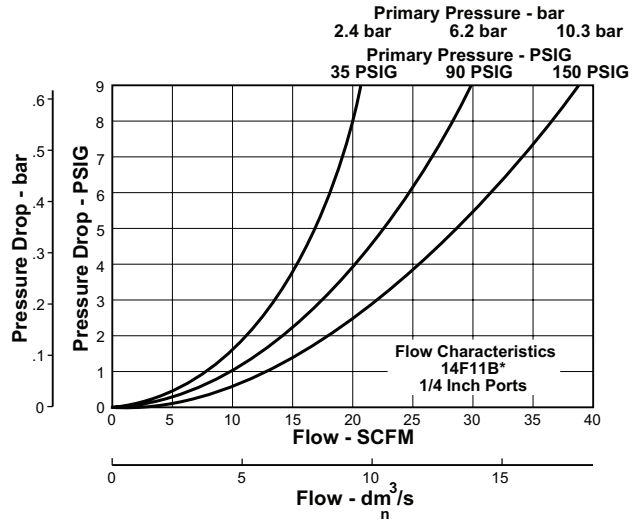
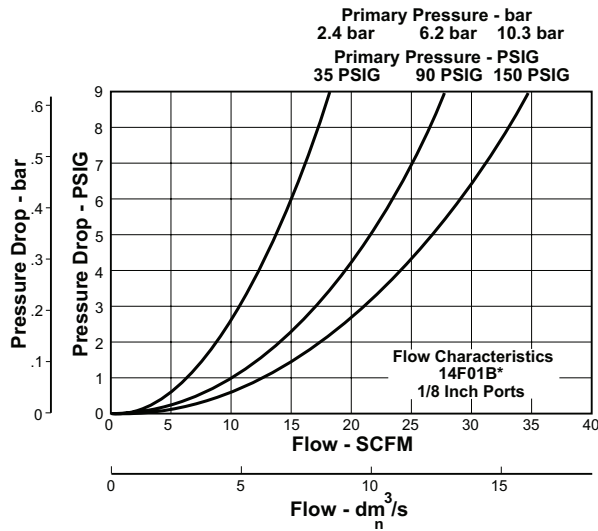
Ordering Information



BOLD ITEMS ARE MOST POPULAR.



Technical Information



14F Filter Kits & Accessories

- Bowl Kits –**
 Poly Bowl –
 Automatic Pulse DrainPS408BP
 Twist DrainPS404P
 Metal Bowl –
 Automatic Pulse DrainPS451BP
 Twist DrainPS447BP
- Filter Element Kits –**
 40 MicronPS401P
 5 MicronPS403P
 5 Micron Cartridge Kit.....PS407P
 Adsorber.....PS452P
- Mounting Bracket Kit.....PS417BP**

Specifications

- Automatic Pulse Drain Tube Barb 1/8 Inch**
Bowl Capacity1 Ounce
Port Threads 1/8, 1/4 Inch
Pressure & Temperature Ratings –
 Polycarbonate Bowl 0 to 150 PSIG (0 to 10.3 bar)
 32°F to 125°F (0°C to 52°C)
 Metal Bowl..... 0 to 250 PSIG (0 to 17.2 bar)
 32°F to 175°F (0°C to 80°C)
 Automatic Pulse Drain10 to 250 PSIG (0.7 to 17.2 bar)
 at 125°F (52°C) or less
- Weight0.41 lb. (0.18 kg)**

Materials of Construction

- Body.....Zinc**
BowlsTransparent Polycarbonate
 Metal (Zinc) Bowl w/o Sight Gauge
- Deflector, Element Holder & BafflePlastic**
- Drains –**
 Twist Drain –
 Body & StemPlastic
 SealsNitrile
 Automatic Pulse Drain –
 Piston & Seals.....Nitrile
 Stem, Seat, Adaptor & Washers.....Aluminum
- Filter Elements –**
 5 Micron (Standard).....Plastic
 40 Micron (Optional)Plastic
 Adsorber (Optional)Activated Charcoal
- SealsNitrile**

