

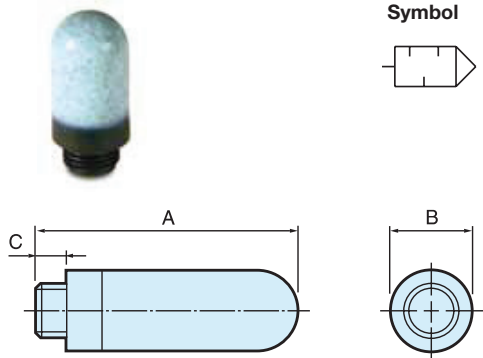
- All plastic ultra light weight versions
- Sintered metal
- All metal versions for heavy duty applications
- Versions with push-in connections
- High noise level reduction
- Low back pressure generation



Operating and additional information

Plastic	Working temperature:	-10°C to +80°C		
	Efficiency	92%		
Metal	Working temperature:	-10°C to +74°C	Working pressure	up to 17 bar

P6M-P Plastic Series



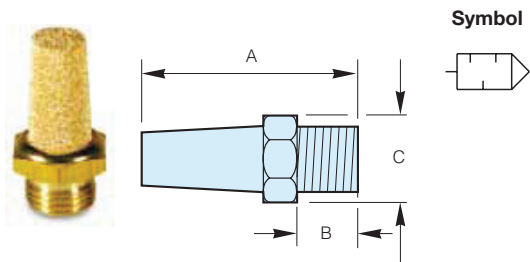
Port thread	Dimensions (mm)			Weight g	Order code
	A	Ø B	C		
M5	23	6,5	4	0,01	P6M-PAC5
G1/8	29	14	6	0,02	P6M-PAB1
G1/4	34	17	6	0,04	P6M-PAB2
G3/8	60	25	9	0,06	P6M-PAB3
G1/2	64	25	11	0,10	P6M-PAB4
G3/4	140	38	14	0,50	P6M-PAB6
G1	160	48	20	0,62	P6M-PAB8

Push-in Series



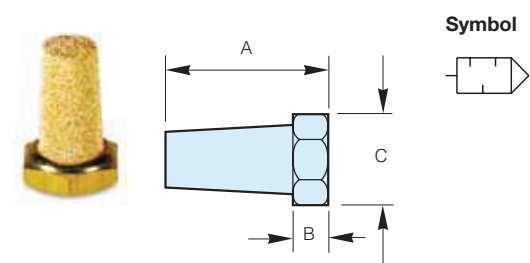
Port mm	Height on Push-in	Weight g	Order code
4	20,0	0,040	PXC-X14
6	35,5	0,025	PZC-S1006
8	34,0	0,030	PZC-S1008

Sintered bronze Series



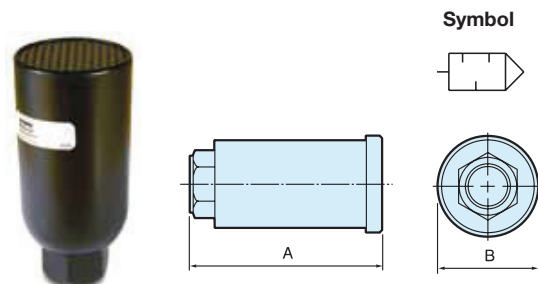
Port thread	A	B	A/F C	Weight g	Order code
M5	23	6,5	4	0,003	9721900005
G1/8	24	10	12	0,009	9090050700
G1/4	32	11	16	0,019	P6M-BAA2
G3/8	43	13	21	0,041	9090050900
G1/2	60	16	24	0,068	9090051000
G3/4	75	10	32	0,126	9090051100
G1	77	12	37	0,188	9090051500

Sintered Bronze Series (female)



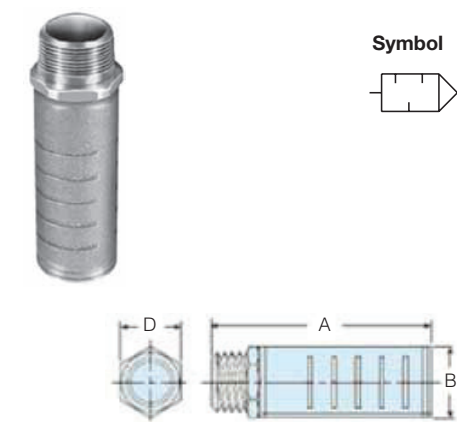
Port mm	A	Ø B	A/F C	Weight g	Order code
G1/8	15	8	13	0,060	9721900404

Heavy Duty Series



Port Female	A	Ø B	Weight g	Order code
G3/8	83	37	0,124	P6M-MA13
G1/2	105	51	0,362	P6M-MA14
G3/4	143	73	0,670	P6M-MA16
G1	143	73	0,666	P6M-MA18

Self Cleaning, 48 Series



Port thread	A	Ø B	A/F E	Order code
R1/8	47	21	16 (5/8")	ESB12MC
R1/4	47	21	16 (5/8")	ESB25MC
R3/8	84	32	25.4 (1")	ESB37MC
R1/2	84	32	25.4 (1")	ESB50MC
R3/4	116	52	41.2 (1-5/8")	ESB75MC
R1	116	52	41.2 (1-5/8")	ESB100MC
R1-1/4	145	73.5	-	ESB125MC
R1-1/2	145	73.5	-	ESB150MC